

1 Unpack and Check ReadyNAS 600 Contents



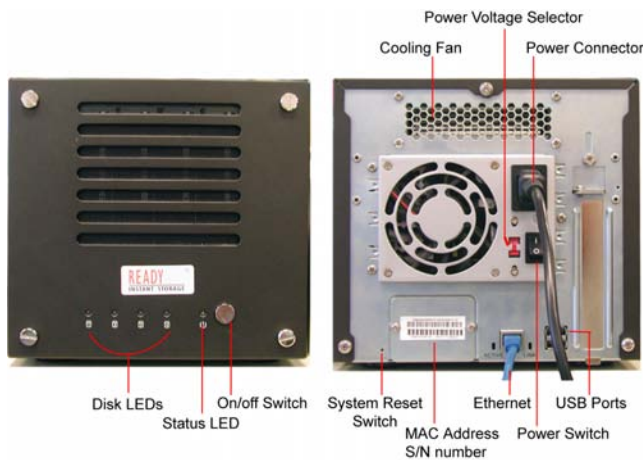
Contents

- ReadyNAS 600 Appliance
- ReadyNAS 600 Getting Started
- ReadyNAS 600 Disk Installation Guide
- ReadyNAS Installation CD
- AC Power Cable
- Ethernet Cable
- Warranty Card

If you purchased a diskless ReadyNAS, please see the [Disk Installation Guide](#) before continuing to Step 2

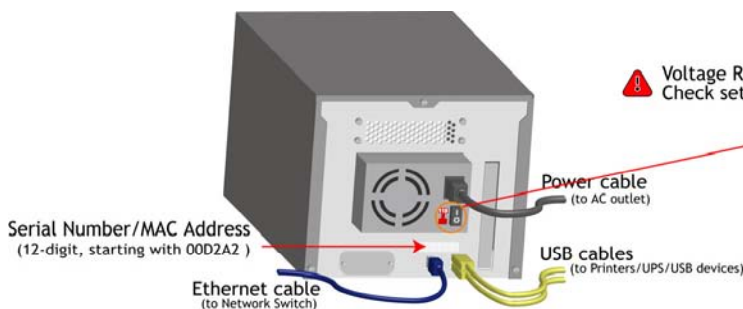


About ReadyNAS 600



- **On/Off Switch** – Press once to turn on when device is off. Make sure the power switch on the back is turned on. Press for 5 seconds to gracefully shutdown device. Always use the On/Off switch to turn off system when possible to avoid data loss.
- **Status LED** – Blinks slowly, about once every 4 seconds, during boot. LED becomes solid then the system is ready. A disk fault in the system will blink this LED at a faster rate, about once a second.
- **Disk LEDs** – Blinks green for normal disk activity. Solid amber for disk failure.
- **Power Switch** – Controls AC power to the ReadyNAS. Use the On/Off switch in the front to turn system off gracefully to avoid data loss.
- **Power Connector** – When Power Switch is in the On position, attaching the power cable will automatically turn on the ReadyNAS. This enables the ReadyNAS to boot up in the event that power returns after a power-failure.
- **MAC Address** – The MAC address assigned to the Ethernet interface. Use the MAC address to identify this system in RAIDar listing.
- **Ethernet Ports** – Auto-switching 10/100/1000. Use a Cat-5 network cable to connect to your network.
- **USB Ports** - The ReadyNAS supports USB printer, UPS, and wireless network adapters.
- **System Reset Switch** – Depressing this switch for 30 seconds while powering up the system will set the system back to factory default state. See "System Reset Switch" chapter in ReadyNAS User Guide for details.

2 Connect ReadyNAS and Power On



3 Install RAIDar and Setup ReadyNAS

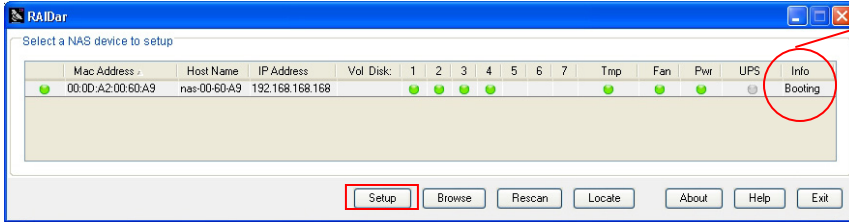
ReadyNAS Installation CD Contents

- Setup.exe
- ReadyNAS Quick Installation Guide
- ReadyNAS User Guide
- End-users License Agreement
- Backup Software - GBM Pro Network



Install and start RAIDar. Follow instructions in ReadyNAS Quick Installation Guide on the CD.

If you purchased a **complete ReadyNAS system with pre-installed disks**, you will see the ReadyNAS system in the RAIDar scan list, and you can click Setup to start the setup wizard. Login using user name admin and password infrant1.



The **info** column displays boot and installation status, or the OS version when ReadyNAS is ready to use.

If you purchased a **diskless ReadyNAS**, you will need to wait until the ReadyNAS is installed before using. The Installation can take 45 minutes or longer, depending on disk capacity, before you can access the ReadyNAS setup wizard. It will take an additional 4 to 5 hours before the ReadyNAS is completed initialized and fully redundant for use. During the background installation, access to the ReadyNAS will be slower than normal.

The **info** column in RAIDar will display the current installation task or error if a problem is detected. Refer to the chart as follows for the expected LED blinking during installation.

LED Legend during Installation			
Time (HH:MM:SS)	Disk LEDs	Power	
00:00:00	○ ○ ○ ○	●	Booting.
00:01:00	● ● ● ●	●	Installing OS, Initializing volume.
00:45:00	● ● ● ●	●	OS finishes installation. ReadyNAS is accessible.
05:00:00	○ ○ ○ ○	●	Disks have completed background initialization and are now fully redundant
Error *	● ● ● ●	●	No disks detected if all disk LEDs flash amber once, and disk #2 LED flashes amber, repeatedly.
Error *	○ ○ ● ○	●	Bad disk detected if one disk LED is solid amber. The disk corresponding to this LED is bad.

* Note that installation will abort on any error detected.

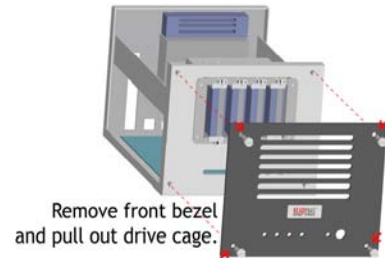
+ Replace a Failed Disk



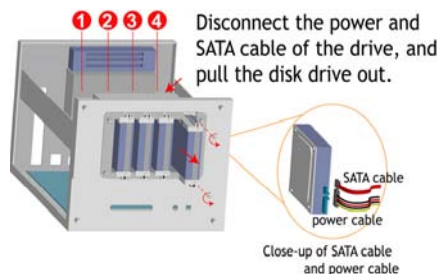
Fault LED lit for failed disk.



Power off and remove 3 screws in back

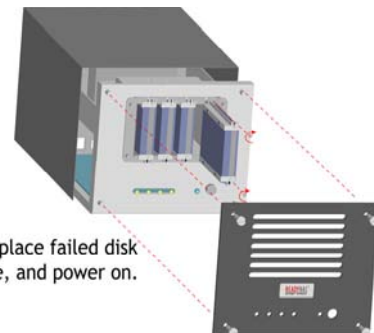


Remove front bezel and pull out drive cage.



1 2 3 4 Disconnect the power and SATA cable of the drive, and pull the disk drive out.

Close-up of SATA cable and power cable



Replace failed disk re-assemble, and power on.